

1200 Series 1204F-E44TTAG2 Diesel Engine – ElectropaK

EPA Tier 4 Final
129 kWm @ 1800 rpm

Building on its already strong EPA Tier 4 Final range, Perkins is pleased to announce the natural expansion of the 1200 Series to include the new ElectropaK range.

The whole engine has been built around the demands of our customers and as such offers a great package with a simple integration design.

Perkins have developed a reputation for designing and building reliable and durable engines suitable for the most demanding applications.



Emissions

Designed to meet U.S. EPA Tier 4 Final

Specification		
Number of cylinders	4 vertical in-line	
Bore and stroke	105 x 127 mm	4.13 x 5 in
Displacement	4.4 litres	268.5 in ³
Aspiration	Series turbocharged aftercooled	
Cycle	4 stroke	
Combustion system	Direct injection	
Compression ratio	16.5:1	
Rotation	Anti-clockwise, viewed on flywheel	
Total lubricating capacity	9.4 litres	2.4 US gal
Cooling system	Liquid	
Total coolant capacity	18.3 litres	4.8 US gal

www.perkins.com

Photographs are for illustrative purposes only and may not reflect final specification.
All information in this document is substantially correct at time of printing and may be altered subsequently.
Final weight and dimensions will depend on completed specification.

Publication No. PN3103/07/15 Produced in England ©2015 Perkins Engines Company Limited

 **Perkins**[®]

THE HEART OF EVERY GREAT MACHINE

1200 Series 1204F-E44TTAG2 Diesel Engine – Electropak

EPA Tier 4 Final
129 kWm @ 1800 rpm

Features and benefits

Dependable power

- World-class manufacturing capability and processes coupled with proven core engine designs assure reliability, quiet operation, and many hours of productive life
- Series turbocharging with smart wastegate

Flexibility

- A number of standard aftertreatment configurations as well as loose supply available to optimise installation. Tropical radiator is supplied as standard

Lifetime of low cost

- Fuel consumption optimized prime power and continuous running applications
- Low ownership costs are enabled by a 3,000 hour service interval for the multi vee belts, service-free tappets and no requirement for aftertreatment ash servicing
- Extended Service Contracts – protect and plan the cost of ownership
Discover more: www.perkins.com/esc

Local support, global coverage

- Perkins recognise that the customer relationship is important to machine manufacturers and we can offer a range of flexible solutions to help provide appropriate support, either to the OEM's network or directly to the machine customer
- Perkins information systems enable our distributors to quickly diagnose engine faults and identify the right parts. The Perkins logistics operation is able to dispatch more than 45,000 different parts from stock, reaching the customer within 24 hours
- To find your local distributor: www.perkins.com/distributor

www.perkins.com

Photographs are for illustrative purposes only and may not reflect final specification.
All information in this document is substantially correct at time of printing and may be altered subsequently.
Final weight and dimensions will depend on completed specification.

Publication No. PN3103/07/15 Produced in England ©2015 Perkins Engines Company Limited

 **Perkins**[®]

THE HEART OF EVERY GREAT MACHINE

1200 Series 1204F-E44TTAG2 Diesel Engine – Electropak

EPA Tier 4 Final
129 kWm @ 1800 rpm

Technical information

Air inlet

- Standard air cleaners

Control system

- Full electronic control system
- All connectors and wiring looms waterproof and designed to withstand harsh off-highway environments
- Flexible and configurable software features and J1939 standard communications I/O

Cooling system

- Engine mounted radiator with top tank temperature of 108°C
- 50:50 water glycol mix
- Detailed guidance on cooling system design and validation available to ensure machine reliability

Standard emissions control equipment

- NRS – NOx Reduction System

Flywheels and flywheel housing

- Wide choice of drivetrain interfaces, supplied with SAE2 configuration as standard

Fuel system

- Electronic high pressure common rail
- Standard and heavy duty fuel filtration

General

- Pusher fan as standard

www.perkins.com

Photographs are for illustrative purposes only and may not reflect final specification.
All information in this document is substantially correct at time of printing and may be altered subsequently.
Final weight and dimensions will depend on completed specification.

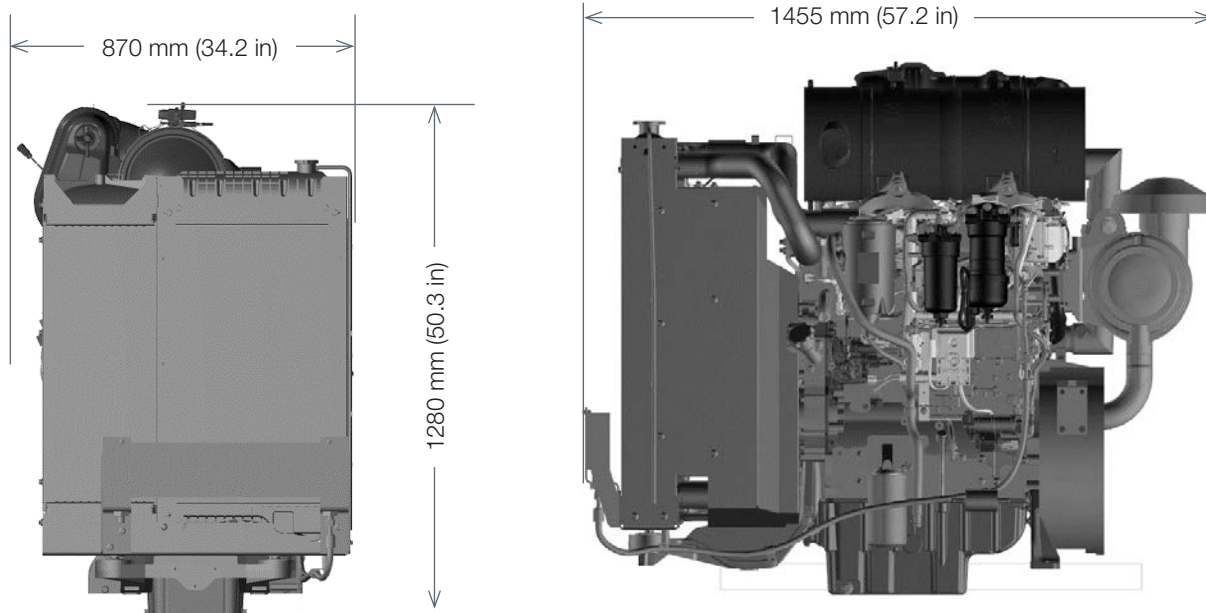
Publication No. PN3103/07/15 Produced in England ©2015 Perkins Engines Company Limited

 **Perkins**[®]

THE HEART OF EVERY GREAT MACHINE

1200 Series 1204F-E44TTAG2 Diesel Engine – Electropak

EPA Tier 4 Final
129 kWm @ 1800 rpm



Engine package weights and dimensions		
Length	1455 mm	57.2 in
Width	870 mm	34.2 in
Height	1280 mm	50.3 in
Weight (dry)	700 kg	1543 lb

www.perkins.com

Photographs are for illustrative purposes only and may not reflect final specification.
All information in this document is substantially correct at time of printing and may be altered subsequently.
Final weight and dimensions will depend on completed specification.

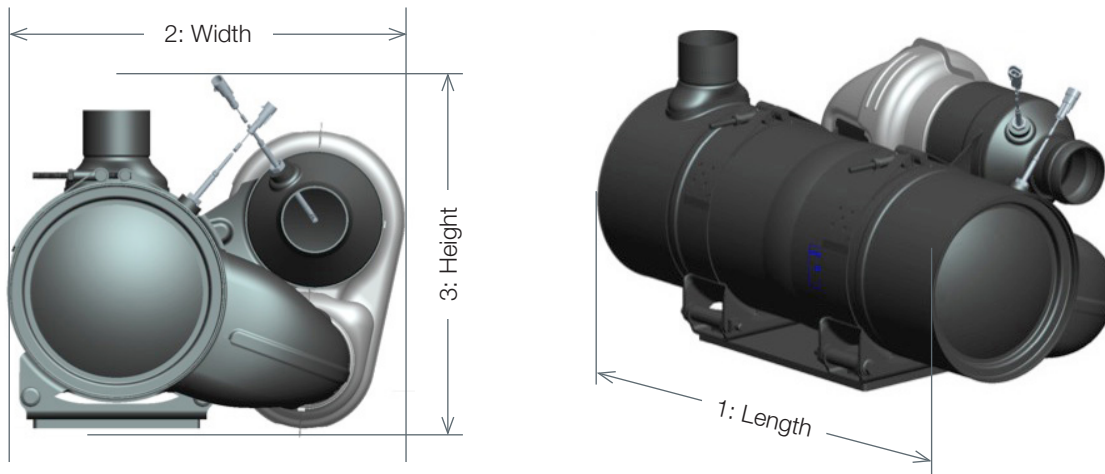
Publication No. PN3103/07/15 Produced in England ©2015 Perkins Engines Company Limited

 **Perkins**[®]

THE HEART OF EVERY GREAT MACHINE

1200 Series 1204F-E44TTAG2 Diesel Engine – Electropak

EPA Tier 4 Final
129 kWm @ 1800 rpm



Aftertreatment weights and dimensions

1	Length	675 mm	26.5 in
2	Width	478 mm	18.8 in
3	Height	390 mm	15.3 in
	Weight	45 kg	99 lb

Aftertreatment module factory fitted to engine as standard.

Aftertreatment

- DOC – Diesel Oxidation Catalyst
- SCR – Selective Catalytic Reduction
- 3 inch flex pipe kits available with a variety of elbow options for turbocharger connection
- SCR Auxiliaries – A range of tanks and heated lines are available

Technology

The DOC/SCR technology provides a compact aftertreatment solution, whilst still providing the performance our customers require.

Power

Using our advanced research and development techniques, we have perfectly matched the aftertreatment system to the engine. The engine performance has then been optimised to give the application maximum productivity whilst the aftertreatment remains invisible to the equipment operator when in use.

Mounting

Engine mounted installation simplifies customers integration and manufacturing requirements.

Service

Service free for the life of the engine.

www.perkins.com

Photographs are for illustrative purposes only and may not reflect final specification.
All information in this document is substantially correct at time of printing and may be altered subsequently.
Final weight and dimensions will depend on completed specification.

Publication No. PN3103/07/15 Produced in England ©2015 Perkins Engines Company Limited

 **Perkins**[®]

THE HEART OF EVERY GREAT MACHINE

1200 Series 1204F-E44TTAG2 Diesel Engine – Electropak

EPA Tier 4 Final
129 kWm @ 1800 rpm

Speed rpm	Type of operation	Generator output		Engine power			
				Gross		Net	
		kVA	kWe	kWm	hp	kWm	hp
1800	Prime power	113.6	90.9	117.4	157.4	109.3	146.6
	Standby power	125.0	100.0	129.1	173.1	121.0	162.3

www.perkins.com

Photographs are for illustrative purposes only and may not reflect final specification.
All information in this document is substantially correct at time of printing and may be altered subsequently.
Final weight and dimensions will depend on completed specification.

Publication No. PN3103/07/15 Produced in England ©2015 Perkins Engines Company Limited



THE HEART OF EVERY GREAT MACHINE